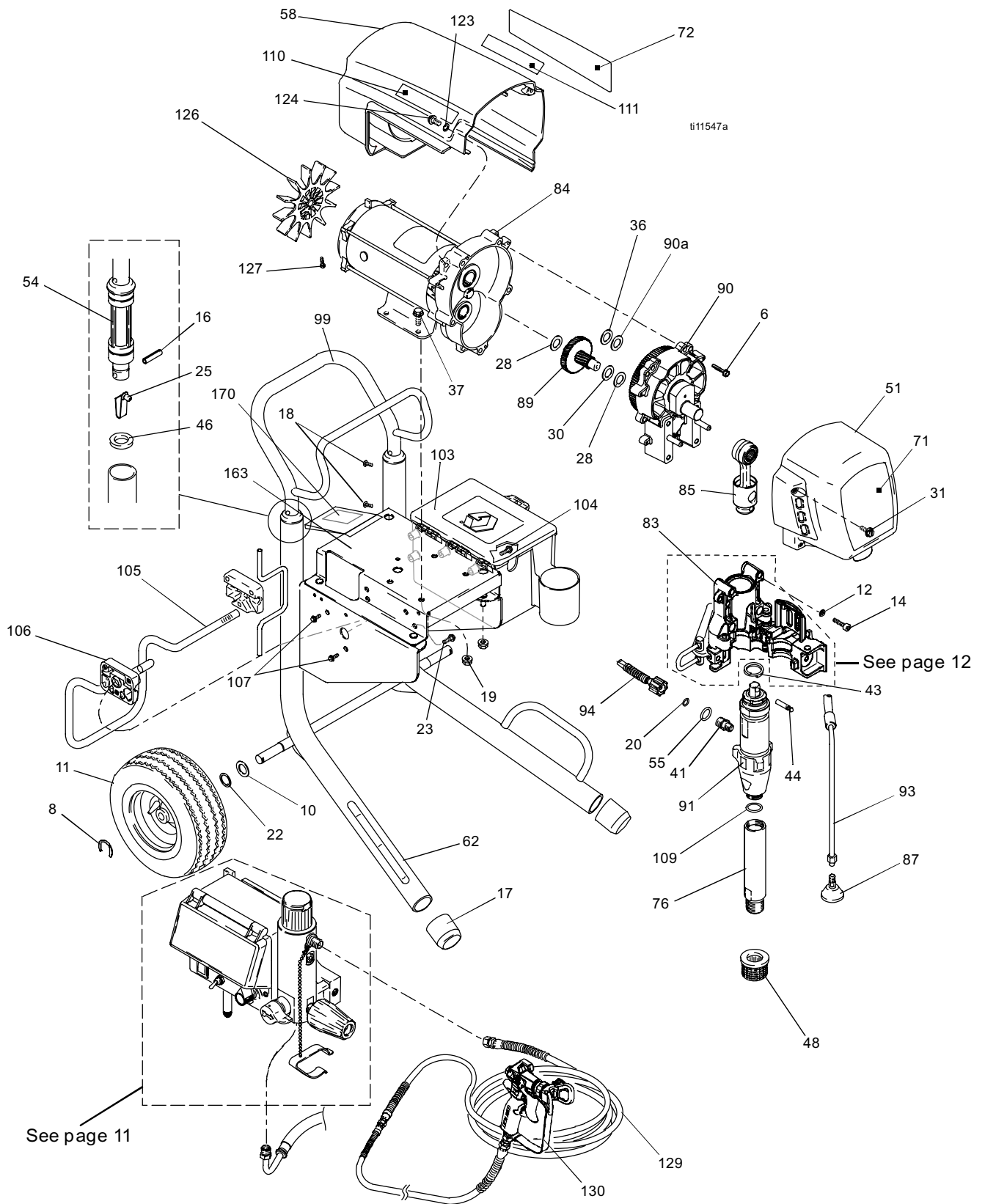


Parts Drawing - Sprayer



Parts List - Sprayer

Ultra Max II: 1095

Ref No.	Part No.	Description	Qty	Ref No.	Part No.	Description	Qty
6	15C753	SCREW, mach, torx, hex	5	89	287290	GEAR, combination; includes 28, 30	1
8	15E891	CLIP, retaining	2	90	287295	HOUSING, drive, M1; includes 6, 36, 90a	1
10	156306	WASHER, flat	2	90a	114671	WASHER, thrust	1
11*	119509	WHEEL, pneumatic	2	91	287513	PUMP, displacement; includes 41, 76, 109, Manual 310894	1
12	106115	WASH, lock, spring	4	93	287952	HOSE, drain; includes 87	1
14	114666	SCREW, cap, socket hd	4	94	287803	HOSE, coupled	1
16	101354	PIN, spring, straight	2	99	245245	HANDLE, cart	1
17	276974	CAP, leg	2	103	287253	TOOLBOX; includes 104	1
18	108795	SCREW, mach, pnh	4	104	118852	SCREW, hex washer hd	3
19	110996	NUT, hex, flanged	8	105	15C858	HANGER, stand, cart	1
22	116038	WASHER, wave spring	2	106	15C982	CAM, cart	2
23	110963	SCREW, cap, flng hd	2	107	114531	SCREW, mach, hex washer	4
25	112827	BUTTON, snap	2	109	118494	PACKING, o-ring	1
28	114672	WASHER, thrust	2	110	15D722	LABEL, premium, left	1
30	114699	WASHER, thrust	1	111	15D721	LABEL, premium, right	1
31	118444	SCREW, machine, hex washer hd	4	123	276980	GROMMET, cover	2
36	116192	WASHER, thrust	1	124	119250	SCREW, shoulder, hex, washer	2
37	100057	SCREW, cap, hex hd	4	126	15D088	FAN, motor	1
41	15E802	FITTING, pump, quick disc	1	127	115477	SCREW, mach, torx, pan, hd	1
43	119778	SPRING, retaining	1	128•	•222385	TAG, WARNING (not shown)	1
44	15F110	PIN, pump	1	129	240794	HOSE, cpld, 1/4 in. x 50 ft	1
46	183350	WASHER	2	130		GUN Manual 309639	1
48	189920	STRAINER, (1-11 1/2 NPSM)	1		288475	Europe	
51	287292	COVER, drive, plastic, painted; includes 31	1		246220	ANZ	
54	187604	SLEEVE, cart	2		288427	Asia	
55	119790	PACKING, o-ring	1	163	288899	SHELF, PEM, assy	1
58	287282	SHIELD, motor, painted; includes 123, 124	1	170•	•243301	LABEL, set, stpro, int'l	1
62	288663	FRAME, cart 1095	1	172	238358	HOSE, cpld, 3/16 in. x 3 ft	1
71	15D071	LABEL, UltraMax II 1095	1				
72	15D072	LABEL, UltraMax II 1095	1				
76	248215	TUBE, intake; includes 109	1				
83	287933	HOUSING, bearing	1				
84	287243	MOTOR, electric; includes 126, 127	1				
85	287472	ROD, connecting; includes 43, 44	1				
87	241920	DEFLECTOR, threaded	1				

* 253131 KIT, repair, tube, 13 in.

• Extra Danger & Warning tags & labels available free.

Parts - Pump 287513

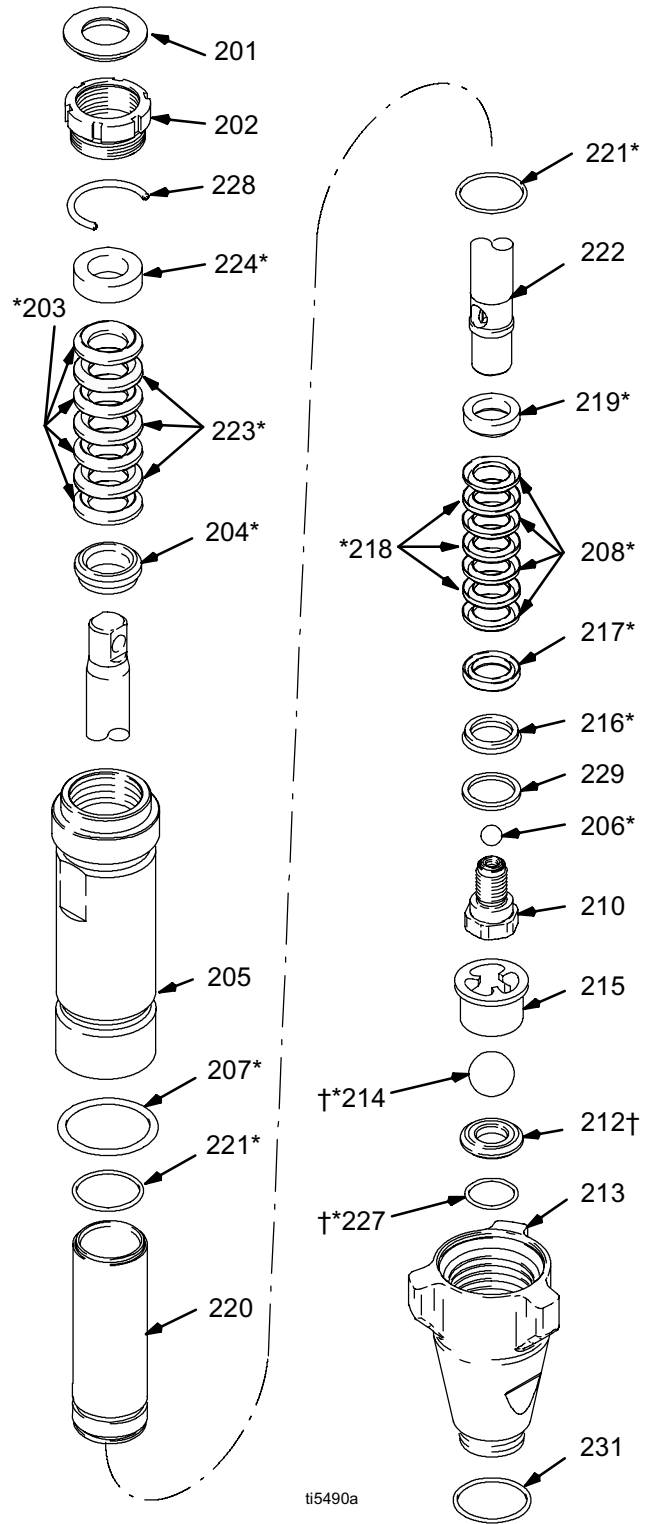
Model 287513, Series A

Ref No.	Part No.	Description	Qty.
201	183171	PLUG	1
202	193032	NUT, packing	1
203*	193124	V-PACKING, throat, V-Maxt UHMWPE, blue	4
204*	15C989	GLAND, male, throat	1
205	287552	CYLINDER, pump	1
206*	101947	BALL, sst, 0.3125 in.	1
207*	106556	PACKING, o-ring	1
208*	193125	V-PACKING, piston V-Maxt UHMWPE, blue	4
210	240150	VALVE, piston	1
212†	244199	KIT, seat, carbide includes 214 and 227	1
213	15E654	VALVE, intake (foot)	1
214*†	102972	BALL, metallic	1
215	193027	GUIDE, ball	1
216*	118504	WIPER, piston	1
217*	183185	GLAND, female, piston	1
218*	15E329	V-PACKING, leather, piston	3
219*	183178	GLAND, male	1
220	248210	SLEEVE, cylinder	1
221*	107098	PACKING, o-ring	2
222	248207	ROD, piston	1
223*	183175	V-PACKING, leather, throat	3
224*	15C990	GLAND, packing	1
227*†	108526	PACKING, o-ring	1
228	193127	SPACER, nut	1
229*	15C998	WASHER, backup	1
230††	15E802	FITTING, pump (not shown)	1
231	118494	O-RING, acetal	1
232††	15E806	TUBE, intake (not shown)	1

* These parts are also included in Repair Kit 248213, which may be purchased separately.

† These parts are also included in Carbide Seat Kit 244199, which may be purchased separately.

†† These parts are included with pump 287513.



ti5490a

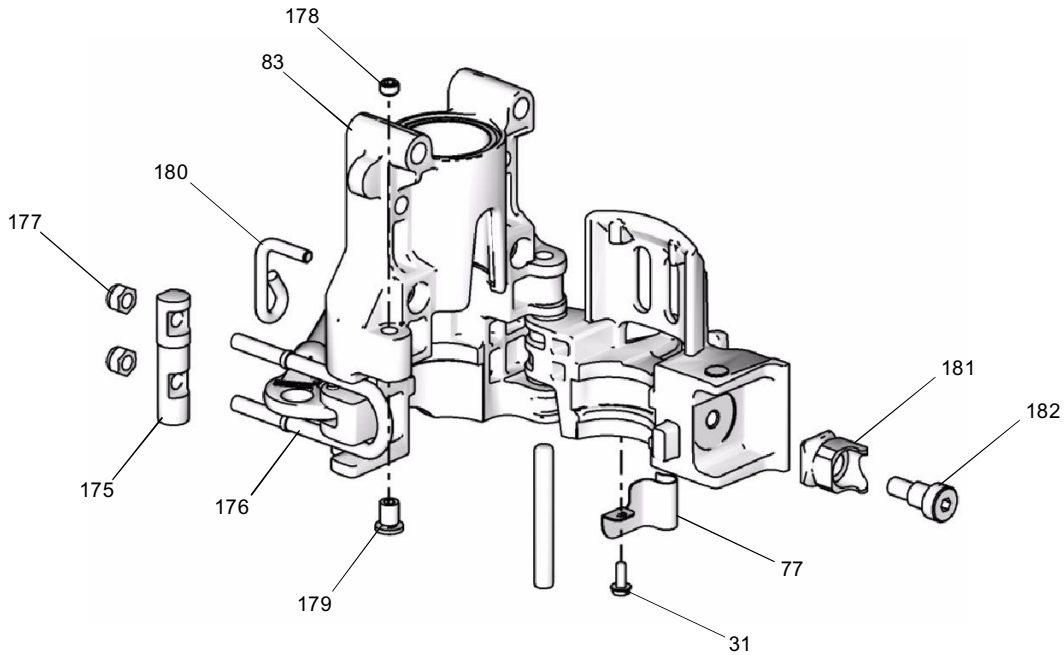
Parts List - Sprayer

Ultra Max II: 695/795/1095/Mark V

Ref No.	Part No.	Description	Qty	Ref No.	Part No.	Description	Qty
7	100721	PLUG, pipe	1	75c	15D528	Europe CEE/7	
9	117285	PACKING, o-ring	1	80	235014	VALVE, prime; includes 80a, 80b	1
13	C19817	SCREW, cap, socket	3	80a	111699	GASKET, seat, valve	
15	107505	PACKING, o-ring	2	80b	15E022	SEAT, valve	
20	111457	PACKING, o-ring	2	81	224807	BASE, valve	1
21	15C972	PIN, grooved	1	82	256219	POTENTIOMETER, adjustment	1
23	110963	SCREW, cap, flng	2	86	243222	TRANSDUCER, pressure control; includes 20	1
26	114391	SCREW, grounding	1	92		FILTER, fluid	1
27	113045	SCREW, sems, mach, phillips	5		244071	30 mesh	
29	15D087	GROMMET	1		244067	60 mesh, original equipment	
33	15D527	SWITCH, rocker	1		244068	100 mesh	
34	116167	KNOB, potentiometer	1		244069	200 mesh	
35	105510	WASHER, lock, spring	3	96	287286	COVER, control, ultra; includes 38, 63, 64, 65	1
38	116252	SCREW, #10 taptite phillips	4	97	287293	VALVE, Autoclean; includes 97a	1
39	112381	SCREW, mach, pan hd	4	97a	15F950	GASKET	1
40	15D033	GROMMET, transducer	1	98	244346	KIT, repair, clamp, trigger	1
42		NIPPLE, adapter	1	101	15D160	STUD, board	5
	164672	695, 795, 1095		102	114420	SCREW, mach, pmh, sems	1
	162485	Mark V		113	15F844	SPACER, manifold	1
45	119541	SWITCH, toggle	1	114	104813	PLUG, pipe	1
47	186620	LABEL, symbol, ground	1	115	15C973	GASKET	1
49	195428	BOOT, toggle	1	118	120185	FITTING, hydraulic; Mark V	1
50	15C780	HANDLE	1		116793	FITTING, elbow, hydraulic; 695, 795, 1095	
52	287942	CONTROL, board; includes 27, 102	1	122	115478	SCREW, mach torx/slt	1
59•	• 243301	LABEL, warning	1	125	15D541	SEAL, washer	1
60•	• 195793	LABEL, warning	1	131	119228	SCREW, mach flat hd	4
61	15D431	BOX, control	1	132	248220	FILTER, board	1
63	198648	LABEL, LCD	1	134		CORD SET, ADAPTER	1
64	15D063	LABEL, instruction	1	134a	242001	Europe Multicord and Asia	1
65	15D609	LABEL, ctrl, box cover	1	134b	242005	ANZ	
66	287285	CAP, filter; includes 9, 74	1	137	195551	RETAINER, PLUG, ADAPTER, Europe Multicord, Asia & ANZ	1
67	15C838	BASE, filter	1	141•	•15G769	LABEL	1
68		PANEL, control	1	143	287121	CORD SET, Italy, Denmark, Switzerland	1
	15G627	695, 795, 1095					
	15C947	Mark V					
69	15C840	PLATE, power bar	1				
70	15D036	GASKET, control box	1				
73	248314	PLUG, Autoclean standard; includes 125					
74	15C766	TUBE, diffusion	1				
75		CORD, power	1				
75a	15D529	Europe Multicord, Asia & ANZ					

• Extra Danger and Warning tags and labels available free.

Parts Drawing - Bearing Housing



Parts List - Bearing Housing

Ref No.	Part No.	Description	Qty	Ref No.	Part No.	Description	Qty
83	240523	HOUSING, bearing (695/795)	1	178	15F503	SCREW, set, socket hd	1
	287923	HOUSING, bearing (1095/Mark V)	1	179	15F498	SCREW, adjustment	1
31	118444	SCREW, mach hex wash hd	1	180	15F116	LATCH	1
77	15E975	CLIP, spring	1	181	15G840	RECEIVER, latch (695)	1
175		PIN, housing, bearing			15G584	RECEIVER, latch (795/1095/Mark V)	1
	15E779	695	1	182	108859	SCREW, shoulder, sch (695)	1
	15E625	795/1095/Mark V	1		116942	SCREW, shoulder, sch (795/1095/Mark V)	1
176		LATCH, housing, bearing					
	15G930	695	1				
	15G890	795/1095/Mark V	1				
177		NUT, lock hex					
	102040	695	2				
	111040	795/1095/Mark V	2				